



Heat-N-Breeze Manual



Read all documentation that is included before installing and using this heater.
Use this heater only as described in this manual.
Any other use not recommended by the manufacturer may cause fire,
electric shock, or injury to persons.

IMPORTANT INSTRUCTIONS

When using electrical appliances, basic precautions should always be followed to reduce the risk of fire, electric shock, and injury to persons, including the following:

1. Read all instructions before installing or using this heater.
2. This heater is hot when in use. To avoid burns, do not let bare skin touch hot surfaces. Keep combustible materials, such as furniture, pillows, ALL TYPES of bedding, papers, clothes, etc. and curtains at least 2 feet from the front of the heater and keep them away from the sides and rear (sides and rear restrictions apply to location dedicated heaters only). A clearance distance is to be determined in accordance with 59.24 or 59.27.
3. Extreme caution is necessary when any heater is used by or near children or invalids and whenever the heater is left operating and unattended.
4. Do not operate any heater after it malfunctions. Disconnect power at service panel and have heater inspected by a reputable electrician before reusing.
5. To disconnect heater, turn controls to off, and turn off power to heater circuit at main disconnect panel (or operate internal disconnect switch if provided) and remove plug from outlet.
6. Do not insert or allow foreign objects (refer to #2 above) to enter any ventilation or exhaust opening as this may cause an electric shock or fire, or damage the heater. This includes ALL types of bedding.
7. To prevent a possible fire, do not block air intakes or exhaust in any manner.
8. A heater has hot and arcing or sparking parts inside. Do not use it in areas where gasoline, paint, or flammable vapors or liquids are used or stored.
9. Use this heater only as described in this manual. Any other use not recommended by the manufacturer may cause fire, electric shock, or injury to persons.
10. DO NOT alter the heater or cord in any way. This greatly increases your risk of fire and / or injury.
11. Any alterations to the heater, heater parts, or cords will void all warranties.
12. Dutiful compliance with regular maintenance is required for safe and effective operation. See "Installation and Maintenance" for further details.

If you should experience ANY PROBLEMS with your Hound Heater™, please contact Akoma Pet Products LLC directly. DO NOT contact your place of purchase. Contacting Akoma Pet Products LLC will greatly speed up your service. Please call 888-442-2214 or email: houndheater@gmail.com

SAVE THESE INSTRUCTIONS

ELECTRICAL SAFETY INFORMATION

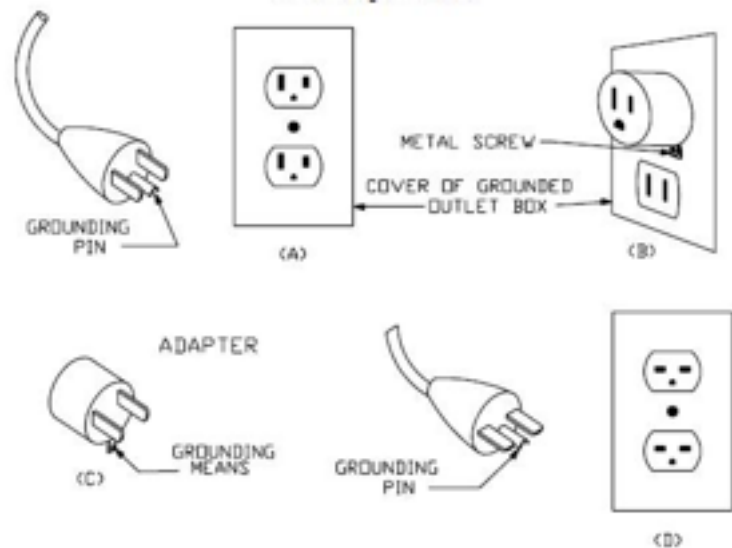
This heater is for use with 120 volts.

The cord has a plug as shown at A in the diagram.

An adapter as shown at C is available for connecting three-blade grounding-type plugs to two-slot receptacles.

The green grounding plug extending from the adapter must be connected to a permanent ground such as a properly grounded outlet box.

The adapter should not be used if a three-slot grounded receptacle is available.



If an extension cord is used, it needs to be a minimum of 18 gauge wires and it must have a 3 prong grounded plug end. Make sure the connections are elevated off the ground, and are not able to come in contact with water, and plugged into a GFCI outlet.

OPERATING INSTRUCTIONS

The Heat-N-Breeze must be properly installed before it is used.

Set the thermostat to the desired temperature in the pet house. By turning the thermostat knob clockwise, this will increase the temperature setting of the Heat-N-Breeze. When you turn the thermostat clockwise you will hear a faint click. The unit will turn on and run at maximum power until that chosen temperature is reached.

Approximate settings are as follows:

LOW - MEDIUM is approximately 35F-50F (1C - 10C)

MEDIUM - HIGH is approximately 50F-80F (10C - 26C)

The Hound Heater™ pet house furnace is powered by a long lasting 300 watt heating element.

Because all pet houses are different sizes, shapes, insulation values, with varying outside temperatures, etc., reaching the desired temperature will vary greatly. It is EXTREMELY important that your pet house be insulated and preferably have a door/flap.

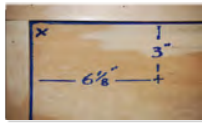
HEAT-N-BREEZE INSTALLATION INSTRUCTIONS



TOOLS REQUIRED:

Included: 5" hole saw, 6 short screws, 3 long screws, 3/4" foam seal
Not included: Drill, screwdriver & measuring device

1



MARK SPOT FOR 5" HOLE

Decide where the Heat-N-Breeze will be mounted. Typically it should be mounted higher so the air outlet blows on the animal. The 5" hole should be drilled 6 1/8" over and 3" down from the upper left corner of the housing unit.

2

ASSEMBLE 5" HOLE SAW

Insert chuck end of drill thru hole and thread nut on the other side.

4



ATTACH FLEXIBLE DUCT TO HEAT-N-BREEZE UNIT WITH HOSE CLAMP

FOR THIN WALLED HOUSES 1.5" OR LESS
You may not need to use the flexible tubing, however, to create a tight seal between the unit and the vent, please use the 3/4" foam piece.

3



DRILL 5" HOLE

5



FEED CORD AND FLEXIBLE DUCT THROUGH THE 3/4" FOAM AND THE 5" HOLE TO OUTSIDE

6



ATTACH HEAT-N-BREEZE UNIT TO INSIDE WALL WITH THE LONGER SCREWS

7



ATTACH OUTSIDE COVER TO FLEXIBLE DUCT WITH HOSE CLAMP

8



MOUNT OUTSIDE COVER TO OUTSIDE WALL WITH SHORTER SCREWS

If there are gaps around outside cover unit and the wall, fill with a caulk type sealer.

9



MOUNT THE HEAT SHIELD 1" ABOVE THE HEAT-N-BREEZE

10



SET THERMOSTAT TO DESIRED SETTING

PLUG CORD INTO GFI OUTLET AND YOU ARE DONE!

APPROXIMATE TEMPERATURE SETTINGS

Half way between MEDIUM and HIGH is approximately 70 degrees F. Setting it closer to MEDIUM will mean unit will come on at a cooler temperature. Since the HEAT-N-BREEZE uses so little energy, many customers will leave it run continuously during the warm summer months.

WARRANTY - If you should experience any problems with your HEAT-N-BREEZE, please contact the Hound Heater Company directly. Please go to: www.houndheater.com and use the email contact on the site or use houndheater@gmail.com



Heat-N-Breeze helpful hints:

- To maximize the efficiency of the Heat-N-Breeze, mount the unit on the wall farthest from the door.
- To help keep bugs out of the your dog house, use the ½” foam piece to create a tight seal
- It is recommended that you drill a separate hole next to the vent for the cord but still use the foam.
- It is advisable to place a bead of silicone around the edge of the vent.
- To prevent heat loss in the cold months, remove the bug screen and replace it with the solid plate.

Information about the Heat-N-Breeze:

- When the Heat-N-Breeze is in “Breezer” mode, it will draw approximately 10 watts of power. This electrical usage will cost, on average, less than \$1.00 per month based on historical rates.
- When the Heat-N-Breeze is in “Heater” mode it uses a 150 watt heating element, this will cost, on average, \$10.00 per month based on historical rates.
- The Heat-N-Breeze is very quiet, less than 45 decibels.
- The Heat-N-Breeze displaces 24+ cubic feet of air per minute. This means, when in “Breezer” mode, it will exchange all of the air in a typical house every minute.
- The fan has a life expectancy of 30,000 hours

Akoma Pet Products, LLC
1350 Chester Industrial Pkwy
Avon, OH 44011
1-888-442-2214
houndheater@gmail.com
www.akomapetproducts.com



Manufacturer's Limited Warranty

TO ACTIVATE THIS WARRANTY, YOU MUST REGISTER AT WWW.AKOMAPETPRODUCTS.COM

Click "information" and then "warranty registration"

Akoma Pet Products, Inc. extends the following limited warranty
to the original retail purchaser of any Hound Heater™

Akoma Pet Products, Inc. warrants its Hound Heater™ to be free from defects in material and workmanship for a period of one year from date of purchase. Akoma Pet Products, Inc. only obligation under this limited warranty is limited to the repair or replacement, at its option, of defective parts only.

AKOMA PET PRODUCTS, INC. EXPRESSLY DISCLAIMS AND EXCLUDES ALL OTHER WARRANTIES, EXPRESS OR IMPLIED, INCLUDING WITHOUT LIMITATION, THE WARRANTIES OF MERCHANTABILITY AND FITNESS FOR A PARTICULAR PURPOSE, AND ALSO DISCLAIMS AND EXCLUDES ALL LIABILITY FOR INCIDENTAL, CON-SEQUENTIAL, INDIRECT OR ANY OTHER SPECIAL DAMAGES. FURTHER, AKOMA PET PRODUCTS, INC. WILL NOT BE LIABLE FOR ANY LOSS, DAMAGE OR INJURY RESULTING FROM DELAY IN DELIVERY OR INSTALLATION OR FOR ANY FAILURE TO PERFORM WHICH IS DUE TO CIRCUMSTANCES BEYOND ITS CONTROL.

For warranty performance, contact us at Akoma Pet Products, Inc., 1350 Chester Industrial Parkway, Avon, OH 44011, to determine if only a replacement part is needed or if the unit needs to be returned for inspection and repair. Proof of retail purchase must be provided when making a warranty claim. Customer is responsible for return shipping charges. This limited warranty does not cover any damage due to accident, abuse, misuse, alteration, neglect, proper installation or ordinary wear and tear.

This limited warranty gives you specific legal rights and you may have other rights, which vary, from state to state.

TO ACTIVATE THIS WARRANTY, YOU MUST REGISTER AT WWW.AKOMAPETPRODUCTS.COM

Click "information" and then "warranty registration"

AKOMA PET PRODUCTS, INC.

1350 Chester Industrial Parkway, Avon, OH 44011

houndheater@gmail.com

888-442-2214

www.AkomaPetProducts.com

Please see our website for Frequently Asked Questions and Instructional Videos listed under FAQ tab at the top.